



**Electrolux**  
PROFESSIONAL

**Modular Cooking Range Line  
thermaline 80 - 1000 mm Passthrough  
open base, 2 Sides (H2) - H=450**

ITEM # \_\_\_\_\_

MODEL # \_\_\_\_\_

NAME # \_\_\_\_\_

SIS # \_\_\_\_\_

AIA # \_\_\_\_\_



588142 (MA2ACCJ000)

Passthrough Open Base,  
two-side operated - H2

### Short Form Specification

Item No. \_\_\_\_\_

1000 mm wide open passthrough base compartment to store pots, pans, sheet pans, etc. with hygienic design and round edges. Internal frame for heavy duty sturdiness in stainless steel.

Flat surface construction, easily cleanable.

IPX5 water resistant certification.

Configuration: Two-side operated freestanding base, hygienic class H2.

### Main Features

- Open base compartment for storage of pots, pans, sheet pans, etc.
- All major components may be easily accessed from the front.
- Unit to be placed below modular top appliances to store pots, pans, sheet pans, etc.

### Construction

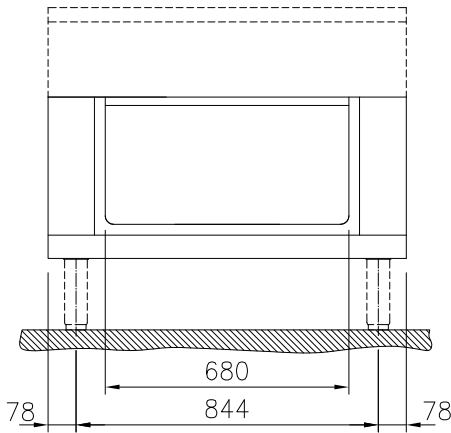
- IPX5 water resistance certification.
- Hygienic design of the open base compartment with large round edges.
- 2 mm top in 1.4301 (AISI 304).
- Flat surface construction with minimal hidden areas to easily clean all surfaces
- Internal frame for heavy duty sturdiness in stainless steel.

APPROVAL: \_\_\_\_\_

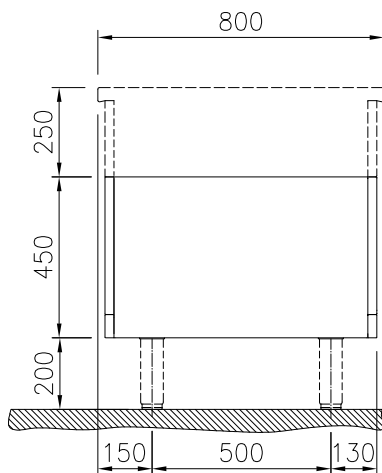


Experience the Excellence  
[www.electroluxprofessional.com](http://www.electroluxprofessional.com)

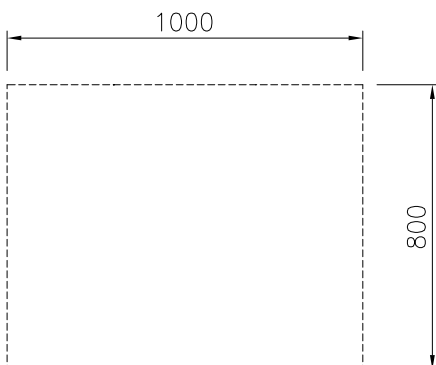
Front



Side



Top


**Key Information:**

External dimensions, Width:	
588142 (MA2ACCJ000)	1000 mm
External dimensions, Depth:	800 mm
External dimensions, Height:	450 mm
Cupboard Cavity Dimensions (width):	680 mm
Cupboard Cavity Dimensions (height):	330 mm
Cupboard Cavity Dimensions (depth):	760 mm
Net weight:	22 kg

### Optional Accessories

- Stainless steel side panel, 800x700mm, freestanding PNC 912509
- Stainless steel front kicking strip, 1000mm width PNC 912636
- Stainless steel side kicking strip left and right, freestanding, 800mm width PNC 912655
- Stainless steel plinth, freestanding, 1000mm width PNC 912865
- Perforated shelf for warming cabinets and cupboard bases (one-side operated TL80-85-90 and two-side operated for TL80) PNC 913235
- Side reinforced panel only in combination with side shelf, for freestanding units PNC 913258
- Shelf fixation for TL80-85-90 one-side operated, TL80 two-side operated PNC 913283
- Stainless steel dividing panel, 800x700mm, (it should only be used between Electrolux Professional thermaline Modular 80 and thermaline C80) PNC 913668
- Stainless steel side panel, 800x700mm, flush-fitting (it should only be used against the wall, against a niche and in between Electrolux Professional thermaline and ProThermetic appliances and external appliances - provided that these have at least the same dimensions) PNC 913684